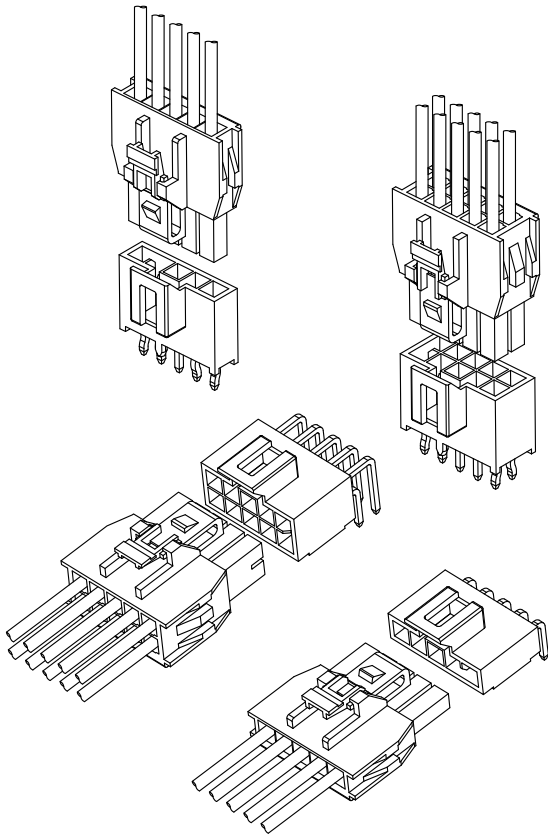


A2507 NANO FIT2.50 CONNECTOR

2.50mm Pitch/Disconnectable Crimp style connectors



- Secure locking structure
- Low insertion force
- Suction area for picking up
- Improvement of engagement with prying

Specifications:

- Current rating: 4.00 A / AC,DC (AWG #20)
- Voltage rating: 250 V AC/DC
- Temperature range: -25°C ~ +105°C
(including temperature rise in applying electrical current)
- Contact resistance: Initial value/ 30m Ω max
Insulation resistance: 1000 M Ω min
Withstanding voltage: 1500 VAC/minute
Applicable wire: Conductor size/ AWG#26~#20
Insulation O.D./ 1.10 to 1.70 mm

- * Compliant with RoHS2/ REACH
- * Refer to "General Instruction and Notice when using Terminals and Connectors"
- * Contact CSG for details

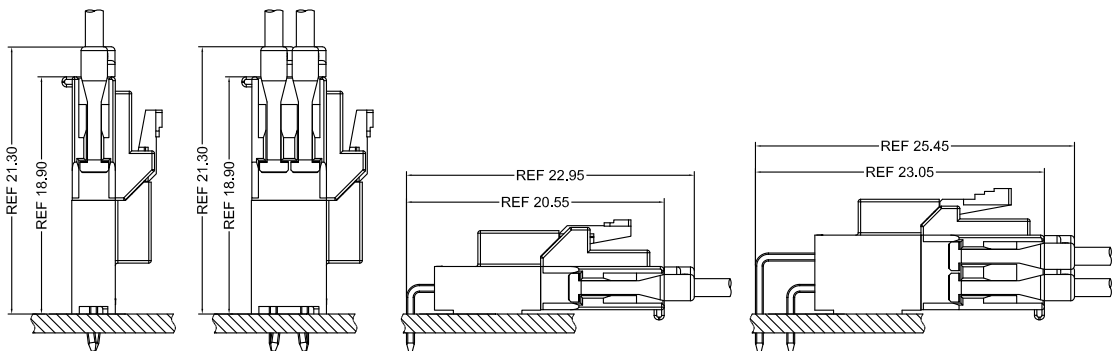
Material:

Housing: PA4T/UL94-V0;Color:Black

Terminal: Phosphor/ Tin-plated

DIP Wafer Housing: LCP,UL94-V0;Color:Black/ Natural

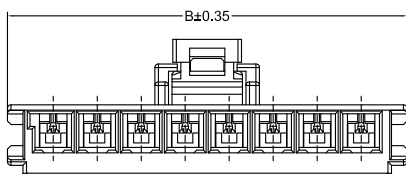
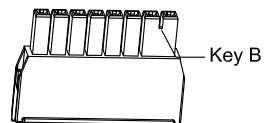
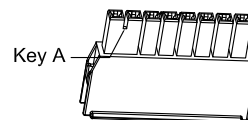
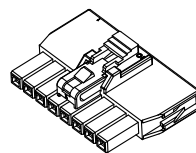
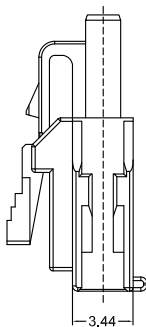
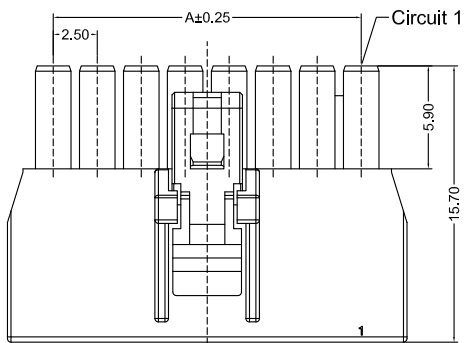
DIP Wafer Pin: Brass/ Tin-plated



- Note: 1. The above figure is the figure viewed from the connector mounting side.
2. Tolerances are non-cumulative: ± 0.08 mm for all centers.
3. The dimensions above should serve as a guideline. Contact CSG for details.

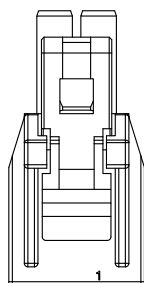
CSG

A2507 NANO FIT2.50

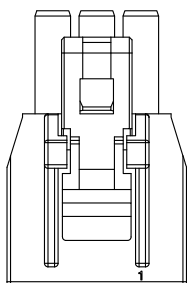


A2507HF 0XX AK 4T 0 XXX
 PIN
 005=5PINS
 SPECIAL
 AK=BAUCKLE
 Material
 4T=PA4T 94V-0
 Code
 001=KEY A
 002=KEY B
 Color
 0=Back

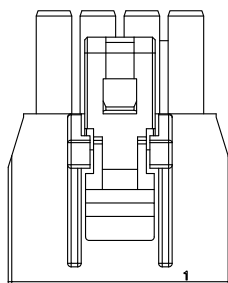
CSG PART NO.	Dimension mm		Q'ty/BAG
	A	B	
A2507HF002AK4T0XXX	2.50	7.70	1000PCS
A2507HF003AK4T0XXX	5.00	10.20	1000PCS
A2507HF004AK4T0XXX	7.50	12.70	1000PCS
A2507HF005AK4T0XXX	10.00	15.20	1000PCS
A2507HF006AK4T0XXX	12.50	17.70	1000PCS
A2507HF007AK4T0XXX	15.00	20.20	1000PCS
A2507HF008AK4T0XXX	17.50	22.70	1000PCS



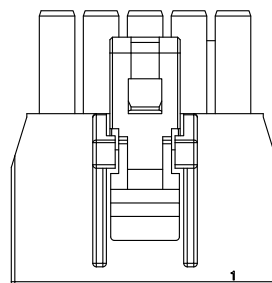
2 CKT



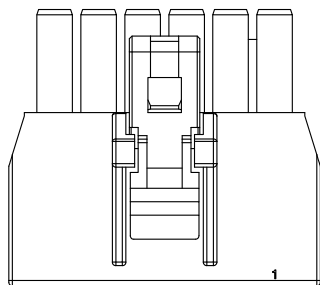
3 CKT



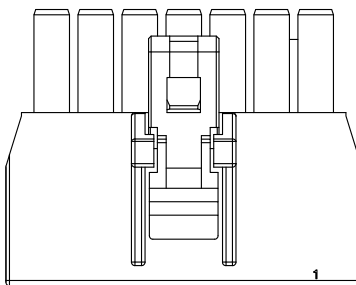
4 CKT



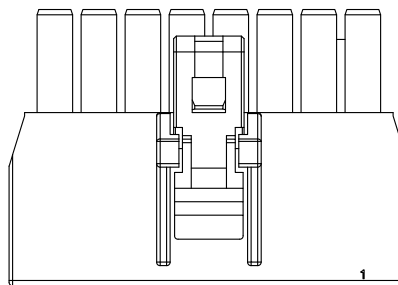
5 CKT



6 CKT



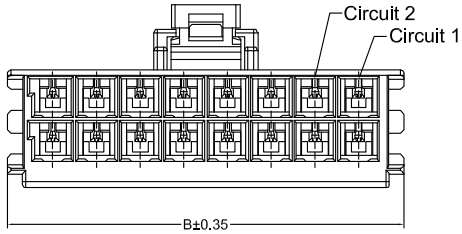
7 CKT



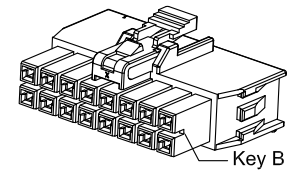
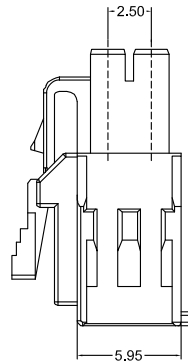
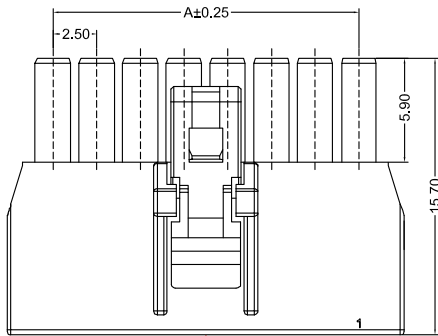
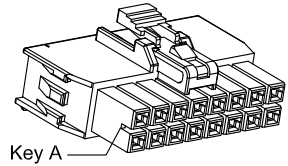
8 CKT



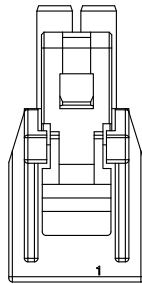
A2507 NANO FIT2.50



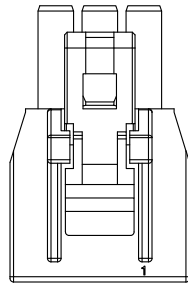
A2507HF 2XX AK 4T 0 XXX
 PIN 205=2X5PINS
 SPECIAL AK=BAUCKLE
 Material 4T=PA4T 94V-0
 Code 001=KEY A
 002=KEY B
 Color 0=Back



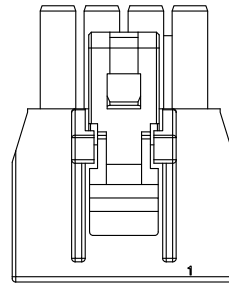
CSG PART NO.	Dimension mm		Q'ty/BAG
	A	B	
A2507HF202AK4T0XXX	2.50	7.70	1000PCS
A2507HF203AK4T0XXX	5.00	10.20	1000PCS
A2507HF204AK4T0XXX	7.50	12.70	1000PCS
A2507HF205AK4T0XXX	10.00	15.20	1000PCS
A2507HF206AK4T0XXX	12.50	17.70	1000PCS
A2507HF207AK4T0XXX	15.00	20.20	1000PCS
A2507HF208AK4T0XXX	17.50	22.70	1000PCS



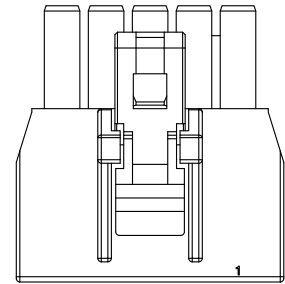
2X2 CKT



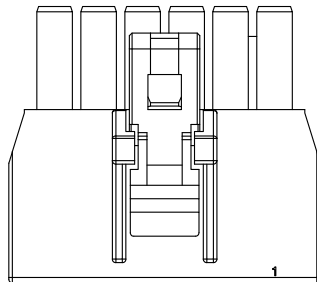
2X3 CKT



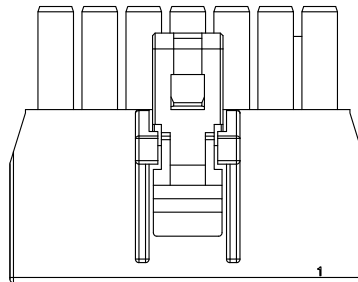
2X4 CKT



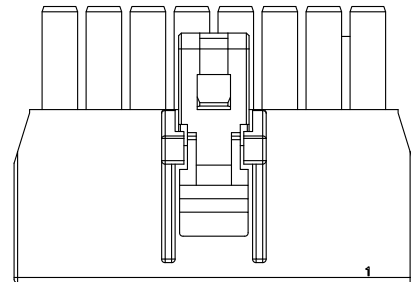
2X5 CKT



2X6 CKT



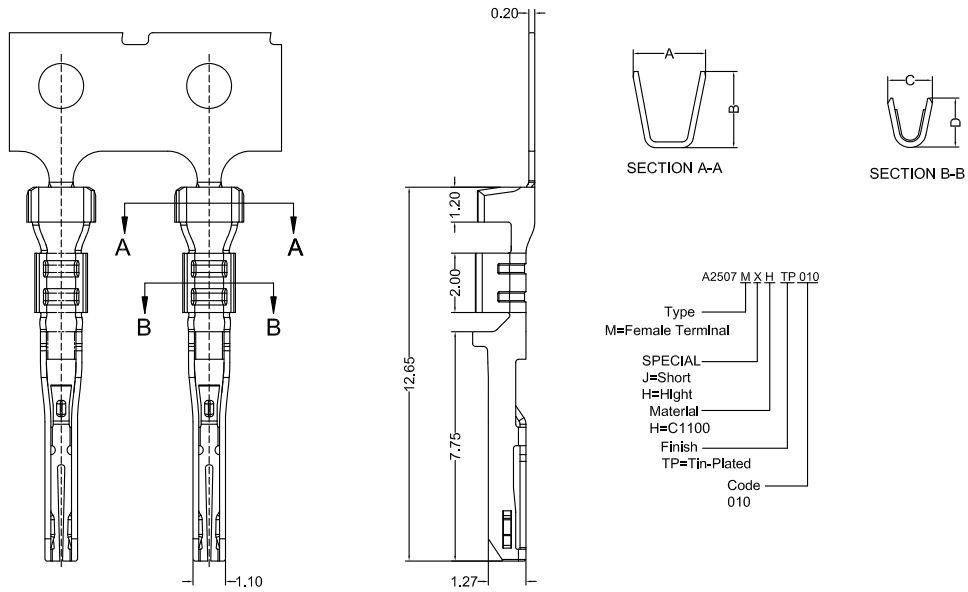
2X7 CKT



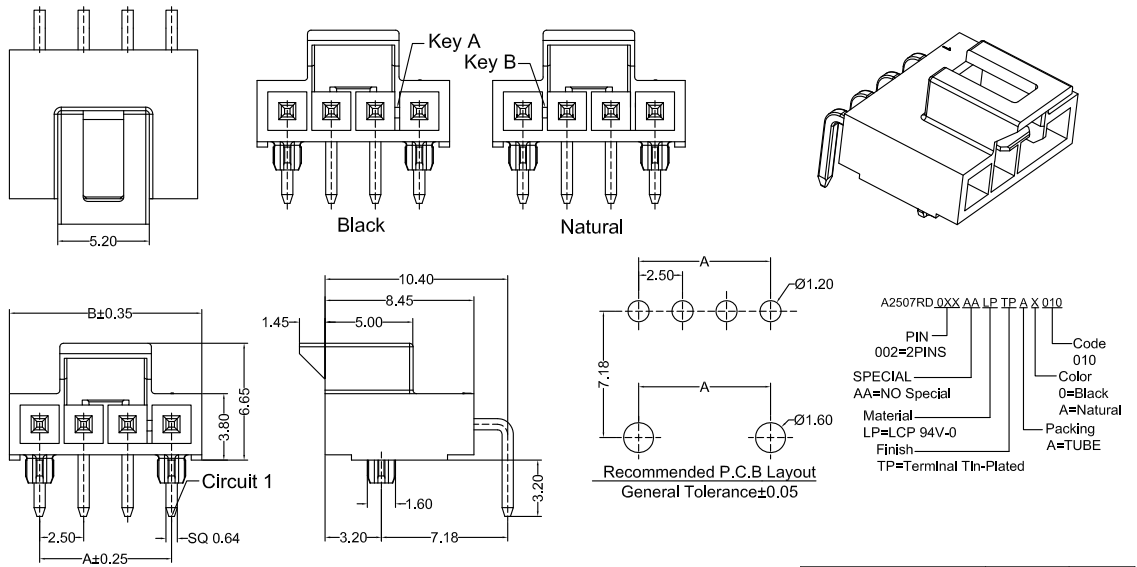
2X8 CKT



A2507 NANO FIT2.50



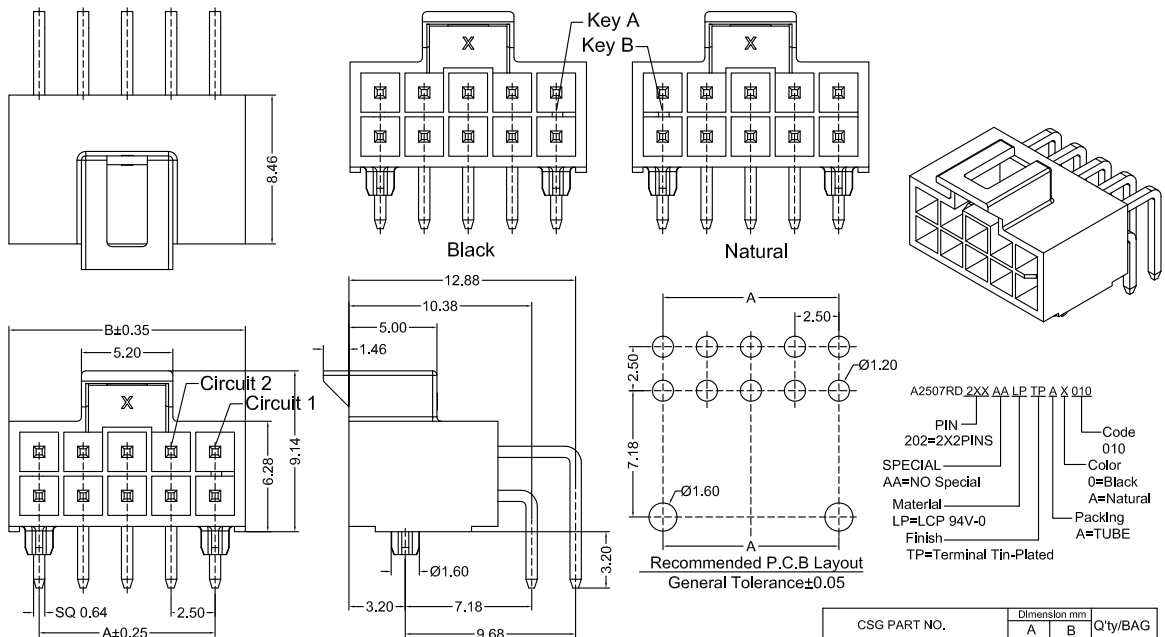
CSG PART NO.	A	B	C	D	Wire Range	Insulation O.D.	Qty/Reel
A2507MJHTP010	2.13	2.00	1.39	1.45	AWG#24-#26	1.60mm(max)	10000PCS
A2507MHHTP010	2.33	1.93	1.96	2.14	AWG#20-#22	1.70mm(max)	10000PCS



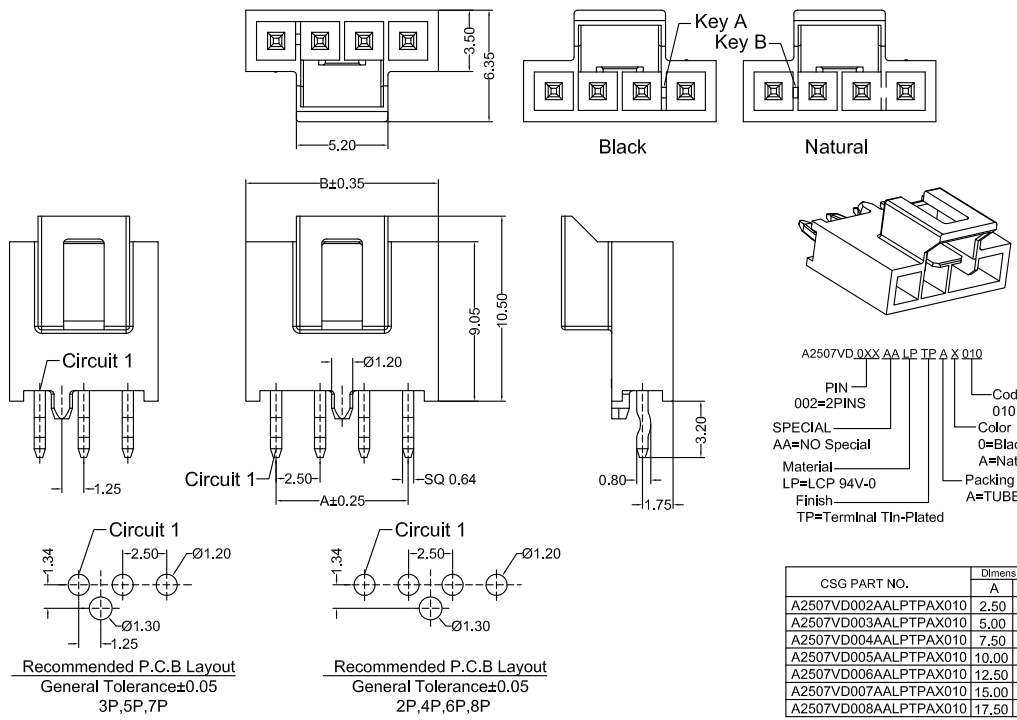
CSG PART NO.	Dimension mm		Qty/BAG
	A	B	
A2507RD002AALPTPAX010	2.50	5.94	1000PCS
A2507RD003AALPTPAX010	5.00	8.44	1000PCS
A2507RD004AALPTPAX010	7.50	10.94	1000PCS
A2507RD005AALPTPAX010	10.00	13.44	1000PCS
A2507RD006AALPTPAX010	12.50	15.94	1000PCS
A2507RD007AALPTPAX010	15.00	18.44	1000PCS
A2507RD008AALPTPAX010	17.50	20.94	1000PCS



A2507 NANO FIT2.50



CSG PART NO.	Dimension mm		Q'ty/BAG
	A	B	
A2507RD202AALPTPAX010	2.50	5.94	1000PCS
A2507RD203AALPTPAX010	5.00	8.44	1000PCS
A2507RD204AALPTPAX010	7.50	10.94	1000PCS
A2507RD205AALPTPAX010	10.00	13.44	1000PCS
A2507RD206AALPTPAX010	12.50	15.94	1000PCS
A2507RD207AALPTPAX010	15.00	18.44	1000PCS
A2507RD208AALPTPAX010	17.50	20.94	1000PCS



CSG PART NO.	Dimension mm		Q'ty/BAG
	A	B	
A2507VD002AALPTPAX010	2.50	5.94	1000PCS
A2507VD003AALPTPAX010	5.00	8.44	1000PCS
A2507VD004AALPTPAX010	7.50	10.94	1000PCS
A2507VD005AALPTPAX010	10.00	13.44	1000PCS
A2507VD006AALPTPAX010	12.50	15.94	1000PCS
A2507VD007AALPTPAX010	15.00	18.44	1000PCS
A2507VD008AALPTPAX010	17.50	20.94	1000PCS



A2507 NANO FIT2.50

