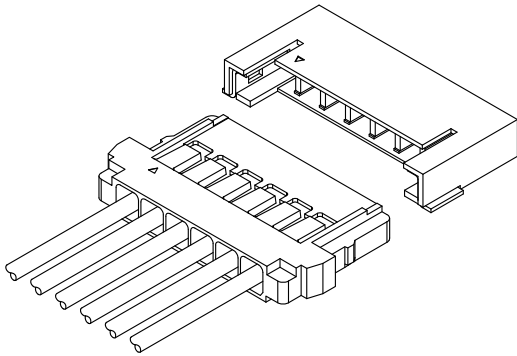


A2008 205341 CONNECTOR

2.00mm Pitch/Disconnectable Crimp style connectors



 E529482

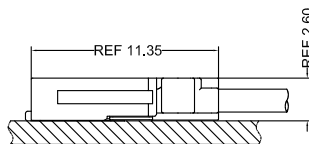
- Secure locking structure
- Low insertion force
- Suction area for picking up
- Improvement of engagement with prying

Specifications:

- Current rating: 6.5 A / AC,DC (AWG #20)
- Voltage rating: 250 V AC/DC
- Temperature range: -25°C ~ +105°C
(including temperature rise in applying electrical current)
- Contact resistance: Initial value/ 30m Ω max
Insulation resistance: 1000 M Ω min
Withstanding voltage: 800 VAC/minute
Applicable wire: Conductor size/ AWG#26~#20
Insulation O.D./ 0.80 to 1.70 mm
- * Compliant with RoHS2/ REACH
- * Refer to "General Instruction and Notice when using Terminals and Connectors"
- * Contact CSG for details

Material:

Housing: PA66/UL94-V0;Color:Black
Terminal: Phosphor Gold-Plated/ Tin-plated
SMT Wafer Housing: PA4T,UL94-V0;Color:Black
SMT Wafer Pin: Brass/ Gold-Plated
SMT Wafer Fixed Foot: Brass/ Tin-plated

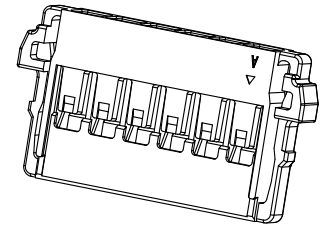
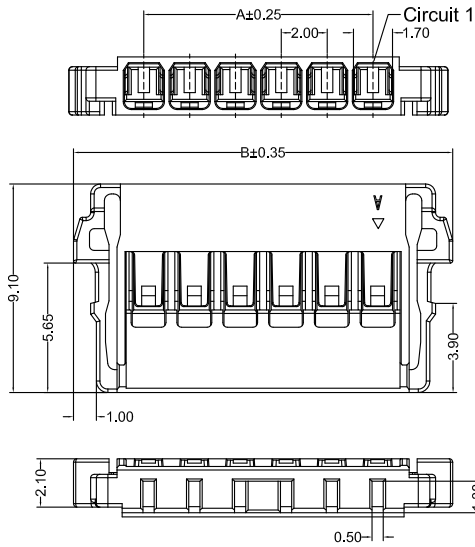


- Note: 1. The above figure is the figure viewed from the connector mounting side.
2. Tolerances are non-cumulative: ± 0.08 mm for all centers.
3. The dimensions above should serve as a guideline. Contact CSG for details.

CSG

Tel:+86-769-85312070 85375507 E-mail:James@csg-china.com www.csg-china.com

A2008 205341



A2008HF 0XX AK P6 0 109

PIN
005=5PINS

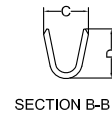
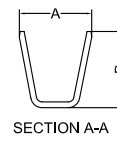
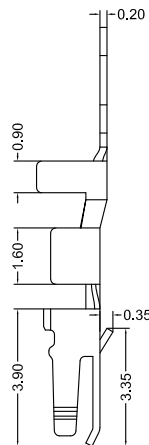
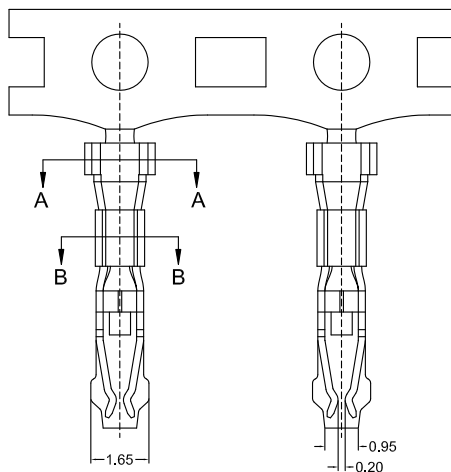
SPECIAL
AK=BUCKLE

Material
P6=PA66 94V-0

Code
109

Color
0=Black

CSG PART NO.	Dimension mm		Qty/BAG
	A	B	
A2008HF002AKP60109	2.00	8.55	1000PCS
A2008HF003AKP60109	4.00	10.55	1000PCS
A2008HF004AKP60109	6.00	12.55	1000PCS
A2008HF005AKP60109	8.00	14.55	1000PCS
A2008HF006AKP60109	10.00	16.55	1000PCS
A2008HF007AKP60109	12.00	18.55	1000PCS
A2008HF008AKP60109	14.00	20.55	1000PCS
A2008HF009AKP60109	16.00	22.55	1000PCS
A2008HF010AKP60109	18.00	24.55	1000PCS
A2008HF011AKP60109	20.00	26.55	1000PCS
A2008HF012AKP60109	22.00	28.55	1000PCS
A2008HF013AKP60109	24.00	30.55	1000PCS
A2008HF014AKP60109	26.00	32.55	1000PCS
A2008HF015AKP60109	28.00	34.55	1000PCS



A2008 M X A XX 109

Type
M=Female Terminal

SPECIAL
J=Short
H=High

Material
A=Phosphor

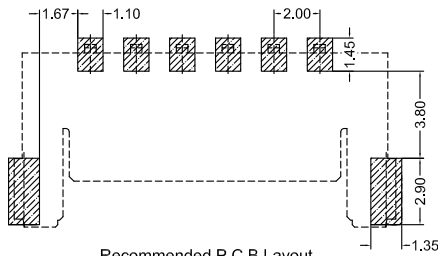
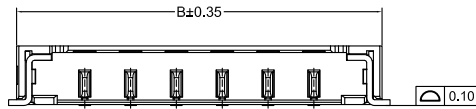
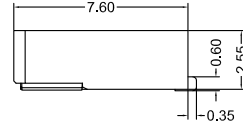
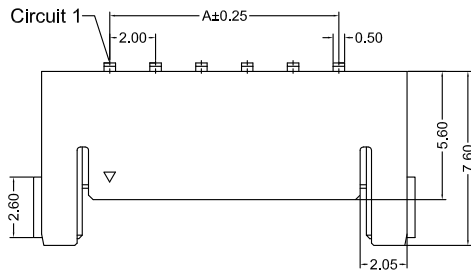
Finish
TP=Tin-Plated
S0=Gold-Plated+Tin

Code
109

CSG PART NO.	A	B	C	C	Wire Range	Insulation O.D.	Qty/Reel
A2008MJAXX109	2.00	2.00	1.40	1.40	AWG#24-#26	1.30mm(max)	10000PCS
A2008MHAXX109	2.30	2.30	1.90	2.00	AWG#20-#20	1.70mm(max)	10000PCS

CSG

A2008 205341



A2008RS 0XX AA 4T GF B 0 109

PIN
002=2PINS

SPECIAL

AA=NO Special

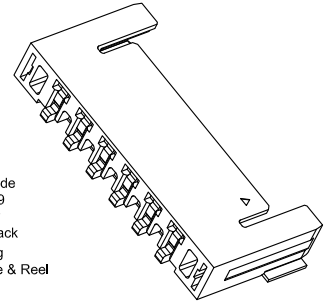
Material
4T=PA4T 94V-0

Finish
GF=Terminal Gold-Plated

Code
109

Color
B=Black

Packing
B=Tape & Reel



CSG PART NO.	Dimension mm		Qty/Reel
	A	B	
A2008RS002AA4TGF B0109	2.00	7.95	1800PCS
A2008RS003AA4TGF B0109	4.00	9.95	1800PCS
A2008RS004AA4TGF B0109	6.00	11.95	1800PCS
A2008RS005AA4TGF B0109	8.00	13.95	1800PCS
A2008RS006AA4TGF B0109	10.00	15.95	1800PCS
A2008RS007AA4TGF B0109	12.00	17.95	1800PCS
A2008RS008AA4TGF B0109	14.00	19.95	1800PCS
A2008RS009AA4TGF B0109	16.00	21.95	1800PCS
A2008RS010AA4TGF B0109	18.00	23.95	1800PCS
A2008RS011AA4TGF B0109	20.00	25.95	1800PCS
A2008RS012AA4TGF B0109	22.00	27.95	1800PCS
A2008RS013AA4TGF B0109	24.00	29.95	1800PCS
A2008RS014AA4TGF B0109	26.00	31.95	1800PCS
A2008RS015AA4TGF B0109	28.00	33.95	1800PCS