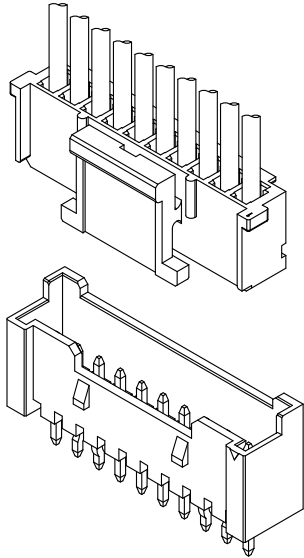


A2006 35507 CONNECTOR

2.00mm Pitch/Disconnectable Crimp style connectors



- Secure locking structure
- Low insertion force
- Suction area for picking up
- Improvement of engagement with prying

Specifications:

- Current rating: 3.0 A / AC,DC (AWG #24)
- Voltage rating: 250 V AC/DC
- Temperature range: -40°C ~ +105°C
(including temperature rise in applying electrical current)
- Contact resistance: Initial value/ 30m Ω max
Insulation resistance: 1000 MΩ min
Withstanding voltage: 1000 VAC/minute
Applicable wire: Conductor size/ AWG#28~#24
Insulation O.D./ 0.80 to 1.40 mm
- * Compliant with RoHS2/ REACH
- * Refer to "General Instruction and Notice when using Terminals and Connectors"
- * Contact CSG for details

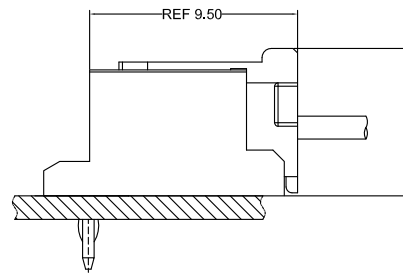
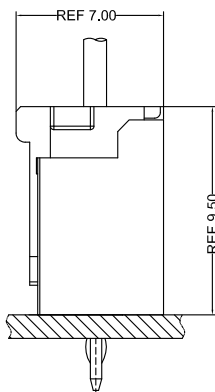
Material:

Housing: PA66/UL94-V0;Color:White

Terminal: Phosphor/ Tin-plated

DIP Wafer Housing: PA66,UL94-V0;Color:Beige

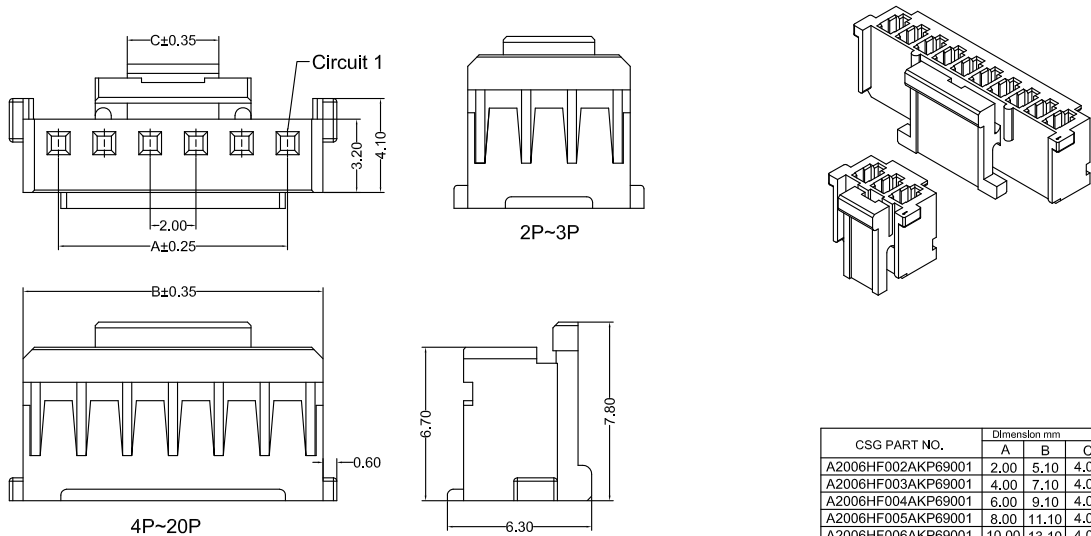
DIP Wafer Pin: Brass/ Tin-plated



- Note: 1. The above figure is the figure viewed from the connector mounting side.
2. Tolerances are non-cumulative: ± 0.08 mm for all centers.
3. The dimensions above should serve as a guideline. Contact CSG for details.

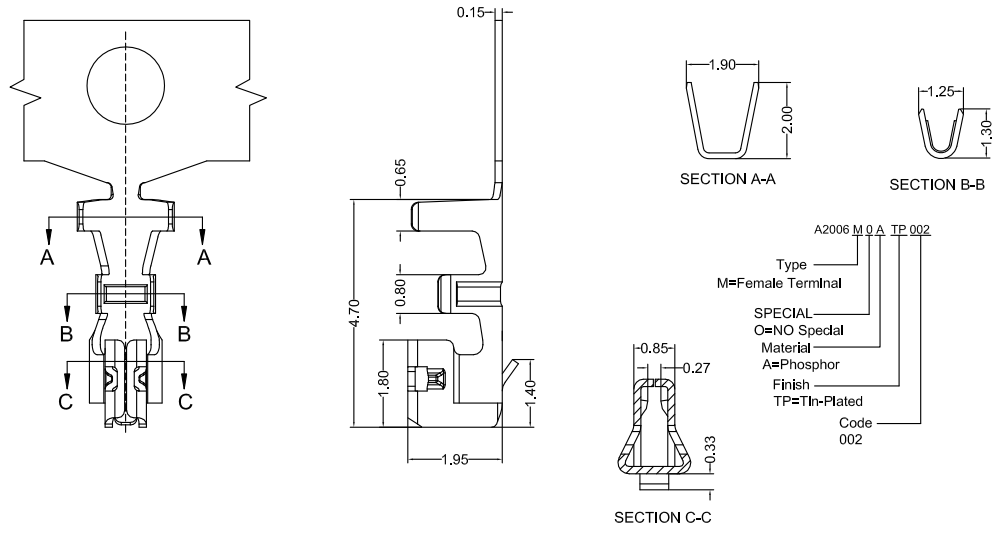
CSG

A2006 35507



CSG PART NO.	Dimension mm			Q'ty/BAG
	A	B	C	
A2006HF002AKP69001	2.00	5.10	4.00	1000PCS
A2006HF003AKP69001	4.00	7.10	4.00	1000PCS
A2006HF004AKP69001	6.00	9.10	4.00	1000PCS
A2006HF005AKP69001	8.00	11.10	4.00	1000PCS
A2006HF006AKP69001	10.00	13.10	4.00	1000PCS
A2006HF007AKP69001	12.00	15.10	4.00	1000PCS
A2006HF008AKP69001	14.00	17.10	4.00	1000PCS
A2006HF009AKP69001	16.00	19.10	4.00	1000PCS
A2006HF010AKP69001	18.00	21.10	4.00	1000PCS
A2006HF011AKP69001	20.00	23.10	4.00	1000PCS
A2006HF012AKP69001	22.00	25.10	4.00	1000PCS
A2006HF013AKP69001	24.00	27.10	4.00	1000PCS
A2006HF014AKP69001	26.00	29.10	4.00	1000PCS
A2006HF015AKP69001	28.00	31.10	4.00	1000PCS
A2006HF016AKP69001	30.00	33.10	4.00	1000PCS
A2006HF017AKP69001	32.00	35.10	4.00	1000PCS
A2006HF018AKP69001	34.00	37.10	4.00	1000PCS
A2006HF019AKP69001	36.00	39.10	4.00	1000PCS
A2006HF020AKP69001	38.00	41.10	4.00	1000PCS

A2006HF 0XX AK P6 9 001
 PIN 005=5PINS
 SPECIAL AK=BUCKLE
 Material P6=PA66 94V-0
 Code 001
 Color 9=White

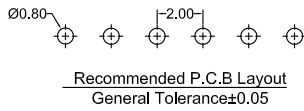
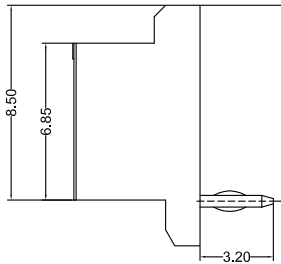
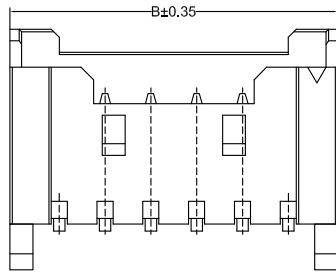
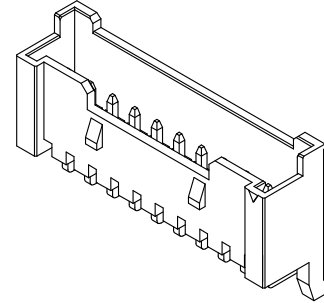
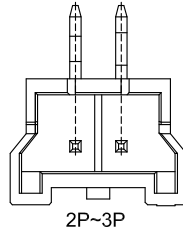
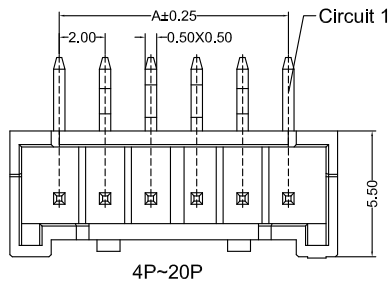


A2006 M 0 A TP.002
 Type M=Female Terminal
 SPECIAL O=NO Special
 Material A=Phosphor
 Finish TP=TIn-Plated
 Code 002

CSG PART NO.	Wire Range	Insulation O.D.	Q'ty/Reel
A2006M0ATP002	AWG#24-#26	1.40mm(max)	10000PCS



A2006 35507



A2006RD_0XX AA P6 TP C C 001

PIN 002=2PINS

SPECIAL AA=NO Special

Material P6=PA66 94V-0

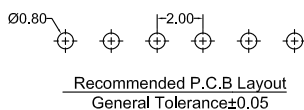
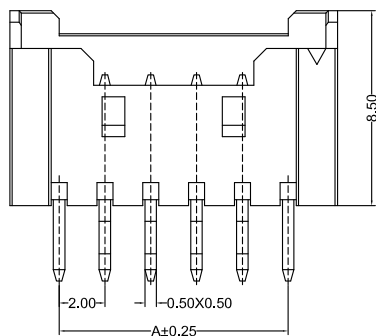
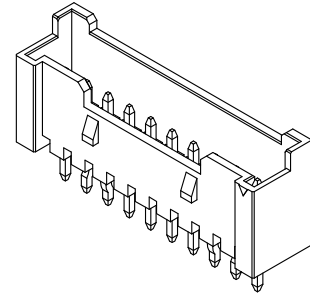
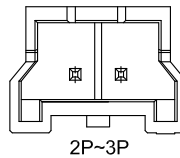
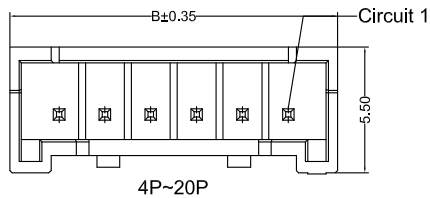
Finish TP=Terminal Tin-Plated

Code 001

Color C=Beige

Packing C=Bag

CSG PART NO.	Dimension mm		Q'ty/BAG
	A	B	
A2006RD002AAP6TPCC001	2.00	7.70	1000PCS
A2006RD003AAP6TPCC001	4.00	9.70	1000PCS
A2006RD004AAP6TPCC001	6.00	11.70	1000PCS
A2006RD005AAP6TPCC001	8.00	13.70	1000PCS
A2006RD006AAP6TPCC001	10.00	15.70	1000PCS
A2006RD007AAP6TPCC001	12.00	17.70	1000PCS
A2006RD008AAP6TPCC001	14.00	19.70	1000PCS
A2006RD009AAP6TPCC001	16.00	21.70	1000PCS
A2006RD010AAP6TPCC001	18.00	23.70	1000PCS
A2006RD011AAP6TPCC001	20.00	25.70	1000PCS
A2006RD012AAP6TPCC001	22.00	27.70	1000PCS
A2006RD013AAP6TPCC001	24.00	29.70	1000PCS
A2006RD014AAP6TPCC001	26.00	31.70	1000PCS
A2006RD015AAP6TPCC001	28.00	33.70	1000PCS
A2006RD016AAP6TPCC001	30.00	35.70	1000PCS
A2006RD017AAP6TPCC001	32.00	37.70	1000PCS
A2006RD018AAP6TPCC001	34.00	39.70	1000PCS
A2006RD019AAP6TPCC001	36.00	41.70	1000PCS
A2006RD020AAP6TPCC001	38.00	43.70	1000PCS



A2006VD_0XX AA P6 TP C C 001

PIN 002=2PINS

SPECIAL AA=NO Special

Material P6=PA66 94V-0

Finish TP=Terminal Tin-Plated

Code 001

Color C=Beige

Packing C=Bag

CSG PART NO.	Dimension mm		Q'ty/BAG
	A	B	
A2006VD002AAP6TPCC001	2.00	7.70	1000PCS
A2006VD003AAP6TPCC001	4.00	9.70	1000PCS
A2006VD004AAP6TPCC001	6.00	11.70	1000PCS
A2006VD005AAP6TPCC001	8.00	13.70	1000PCS
A2006VD006AAP6TPCC001	10.00	15.70	1000PCS
A2006VD007AAP6TPCC001	12.00	17.70	1000PCS
A2006VD008AAP6TPCC001	14.00	19.70	1000PCS
A2006VD009AAP6TPCC001	16.00	21.70	1000PCS
A2006VD010AAP6TPCC001	18.00	23.70	1000PCS
A2006VD011AAP6TPCC001	20.00	25.70	1000PCS
A2006VD012AAP6TPCC001	22.00	27.70	1000PCS
A2006VD013AAP6TPCC001	24.00	29.70	1000PCS
A2006VD014AAP6TPCC001	26.00	31.70	1000PCS
A2006VD015AAP6TPCC001	28.00	33.70	1000PCS
A2006VD016AAP6TPCC001	30.00	35.70	1000PCS
A2006VD017AAP6TPCC001	32.00	37.70	1000PCS
A2006VD018AAP6TPCC001	34.00	39.70	1000PCS
A2006VD019AAP6TPCC001	36.00	41.70	1000PCS
A2006VD020AAP6TPCC001	38.00	43.70	1000PCS

