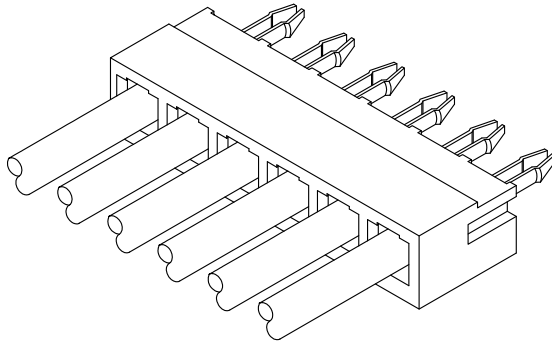


B3960 SDN CONNECTOR

3.96mm Pitch Board-in connectors



- Secure locking structure
- Low insertion force
- Suction area for picking up
- Improvement of engagement with prying

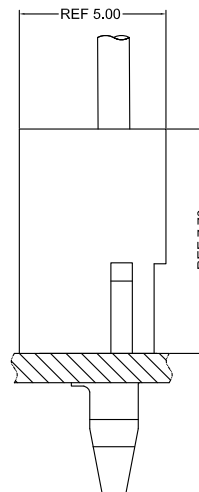
Specifications:

- Current rating: 7.0 A / AC,DC (AWG #18)
- Voltage rating: 250 V AC/DC
- Temperature range: -40°C ~ +105°C
(including temperature rise in applying electrical current)
- Contact resistance: Initial value/ 20m Ω max
Insulation resistance: 1000 M Ω min
Withstanding voltage: 1500 VAC/minute
Applicable wire: Conductor size/ AWG#18~#22
Insulation O.D./ 1.50 to 2.80 mm
- * Compliant with RoHS2/ REACH
- * Refer to "General Instruction and Notice when using Terminals and Connectors"
- * Contact CSG for details

Material:

Housing: PA66/UL94-V0;Color:White

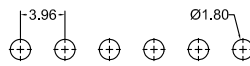
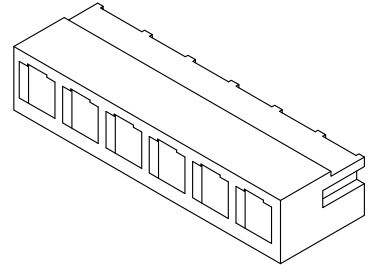
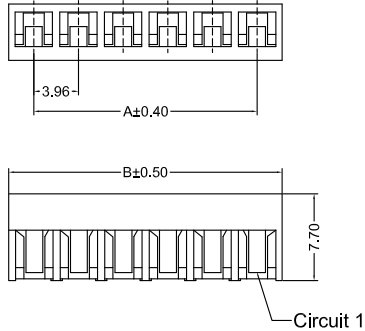
Terminal: Phosphor/ Tin-plated



- Note: 1. The above figure is the figure viewed from the connector mounting side.
2. Tolerances are non-cumulative: ± 0.08 mm for all centers.
3. The dimensions above should serve as a guideline. Contact CSG for details.

CSG

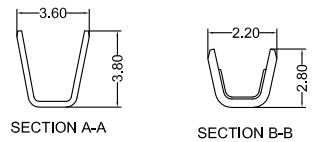
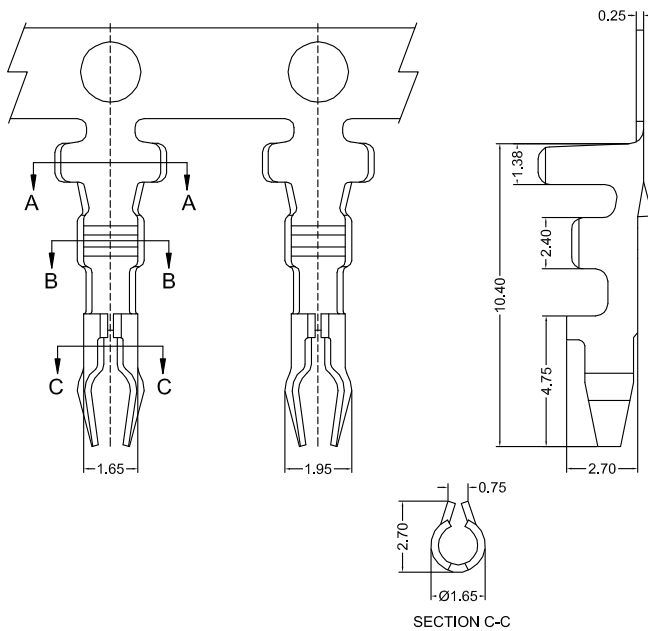
B3960 SDN



Recommended P.C.B Layout
General Tolerance±0.05

B3960HM 0XX AA P6 9 001
 PIN 005=5PINS
 SPECIAL: AA=NO Special
 Material P6=PA66 94V-0
 Code 001
 Color 9=White

CSG PART NO.	Dimension mm		Qty/BAG
	A	B	
B3960HM002AAP69001	3.96	9.62	1000PCS
B3960HM003AAP69001	7.92	12.58	1000PCS
B3960HM004AAP69001	11.88	16.54	1000PCS
B3960HM005AAP69001	15.84	20.50	1000PCS
B3960HM006AAP69001	19.80	24.46	1000PCS
B3960HM007AAP69001	23.76	28.42	1000PCS
B3960HM008AAP69001	27.72	32.38	1000PCS
B3960HM009AAP69001	31.68	36.34	1000PCS
B3960HM010AAP69001	35.64	40.30	1000PCS
B3960HM011AAP69001	39.60	44.26	1000PCS
B3960HM012AAP69001	43.56	48.22	1000PCS
B3960HM013AAP69001	47.52	52.08	1000PCS
B3960HM014AAP69001	51.48	56.14	1000PCS
B3960HM015AAP69001	55.44	60.10	1000PCS



B3960 F 0 B TP 001
 Type F=Male Terminal
 SPECIAL O=NO Special
 Material B=Brass
 Finish TP=Tin-Plated
 Code 001

CSG PART NO.	Wire Range	Insulation O.D.	Qty/Reel
B3960F0BTP001	AWG#18-#22	2.80mm(max)	6000PCS

