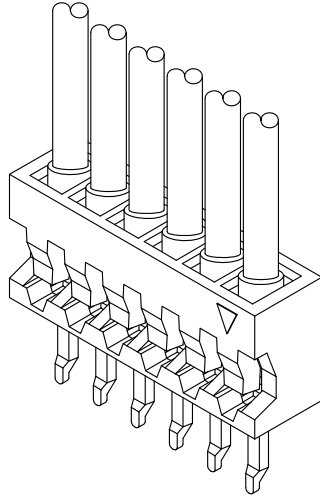


# B1250 51022 CONNECTOR

1.25mm Pitch Board-in connectors



- Secure locking structure
- Low insertion force
- Suction area for picking up
- Improvement of engagement with prying

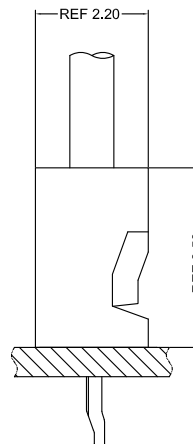
## Specifications:

- Current rating: 1.0 A / AC,DC (AWG #22)
- Voltage rating: 125 V AC/DC
- Temperature range: -40°C ~ +105°C  
(including temperature rise in applying electrical current)
- Contact resistance: Initial value/ 20m Ω max  
Insulation resistance: 100 M Ω min  
Withstanding voltage: 500 VAC/minute  
Applicable wire: Conductor size/ AWG#28~#32  
Insulation O.D./ 0.40 to 1.00 mm
- \* Compliant with RoHS2/ REACH
- \* Refer to "General Instruction and Notice when using Terminals and Connectors"
- \* Contact CSG for details

Material:

Housing: PA66/UL94-V0;Color:White

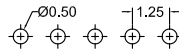
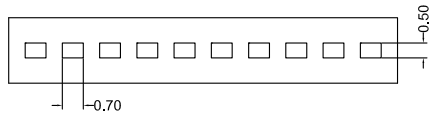
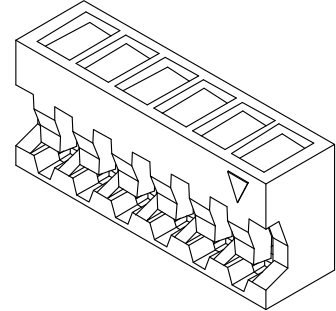
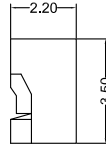
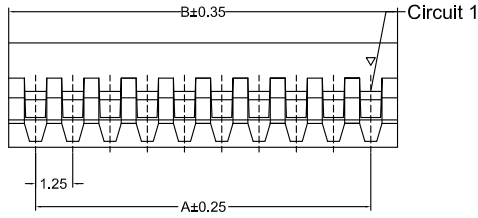
Terminal: Phosphor/ Tin-plated/ Gold-Plated



- Note: 1. The above figure is the figure viewed from the connector mounting side.  
2. Tolerances are non-cumulative:  $\pm 0.08$  mm for all centers.  
3. The dimensions above should serve as a guideline. Contact CSG for details.

**CSG**

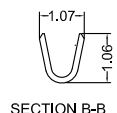
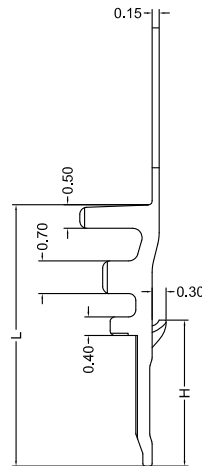
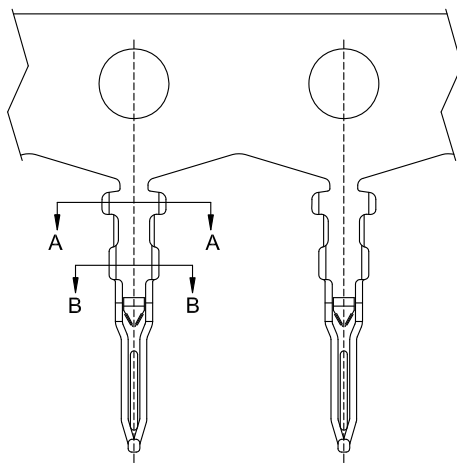
# B1250 51022



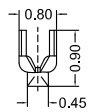
Recommended P.C.B Layout  
General Tolerance±0.05

B1250HM 0XX AA P6 9 017  
 PIN 005=5PINS  
 SPECIAL:  
 AA=NO Special  
 Material P6=PA66 94V-0  
 Code 017  
 Color 9=White

CSG PART NO.	Dimension mm		Q'ty/BAG
	A	B	
B1250HM002AAP69017	1.25	3.00	1000PCS
B1250HM003AAP69017	2.50	4.25	1000PCS
B1250HM004AAP69017	3.75	5.50	1000PCS
B1250HM005AAP69017	5.00	6.75	1000PCS
B1250HM006AAP69017	6.25	8.00	1000PCS
B1250HM007AAP69017	7.50	9.25	1000PCS
B1250HM008AAP69017	8.75	10.50	1000PCS
B1250HM009AAP69017	10.00	11.75	1000PCS
B1250HM010AAP69017	11.25	13.00	1000PCS
B1250HM011AAP69017	12.50	14.25	1000PCS
B1250HM012AAP69017	13.75	15.50	1000PCS
B1250HM013AAP69017	15.00	16.75	1000PCS
B1250HM014AAP69017	16.25	18.00	1000PCS
B1250HM015AAP69017	17.50	19.25	1000PCS
B1250HM016AAP69017	18.50	20.50	1000PCS



B1250 F 0 A XX XXX  
 Type F=Male Terminal  
 SPECIAL:  
 O=NO Special  
 Material A=Phosphor  
 Finish TP=Tin-Plated GF=Gold-Plated G/F  
 Code 001, 002, 003



CSG PART NO.	Wire Range	Insulation O.D.	L	H	Q'ty/Reel
B1250F0AXX001	AWG#28-#32	1.00mm(max)	5.60	3.13	10000PCS
B1250F0AXX002	AWG#28-#32	1.00mm(max)	5.90	3.43	10000PCS
B1250F0AXX003	AWG#28-#32	1.00mm(max)	6.20	3.73	10000PCS

