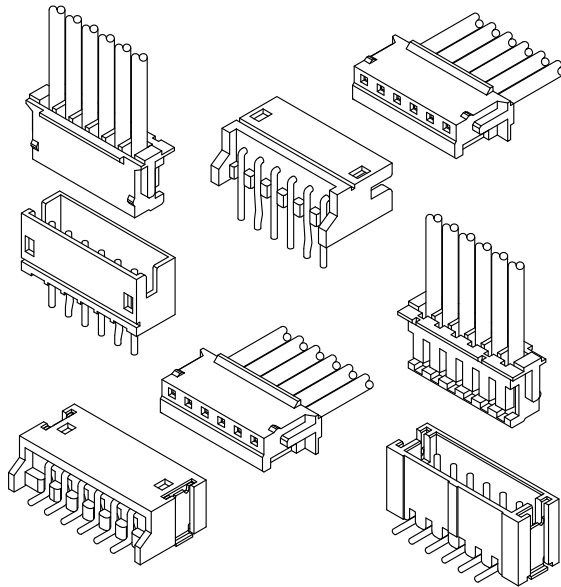


# A1500 ZH CONNECTOR

1.50mm Pitch/Disconnectable Crimp style connectors



**RI** E529482

- Secure locking structure
- Low insertion force
- Suction area for picking up
- Improvement of engagement with prying

## Specifications:

- Current rating: 1.5 A / AC,DC
- Voltage rating: 100 V AC/DC
- Temperature range: -40°C ~ +105°C  
(including temperature rise in applying electrical current)
- Contact resistance: Initial value/ 20m Ω max  
Insulation resistance: 500 M Ω min  
Withstanding voltage: 500 VAC/minute  
Applicable wire: Conductor size/ AWG#32~#26  
Insulation O.D./ 0.50 to 1.10 mm

- \* Compliant with RoHS2/ REACH
- \* Refer to "General Instruction and Notice when using Terminals and Connectors"
- \* Contact CSG for details

Material:

Housing: PA66/UL94-V0;Color:White

Terminal: Phosphor/ Tin-plated

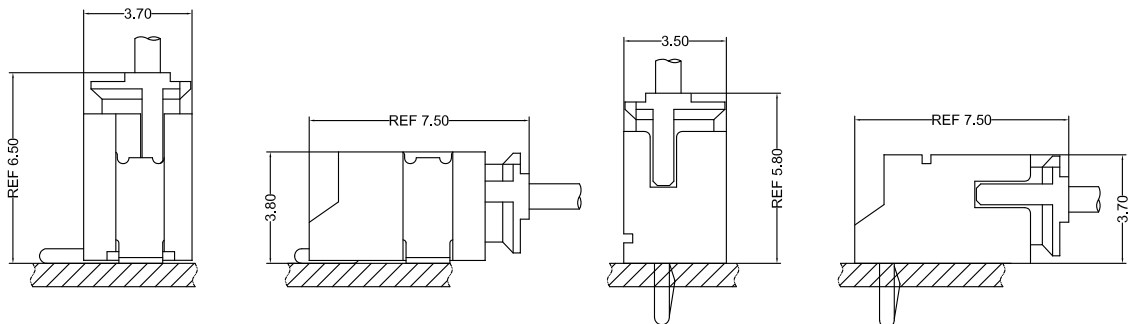
DIP Wafer Housing: PA46/ PBT,UL94-V0;Color:Natural/ White

DIP Wafer Pin: Brass/ Tin-plated

SMT Wafer Housing: LCP,UL94-V0;Color:Gray

SMT Wafer Pin: Brass/ Tin-plated

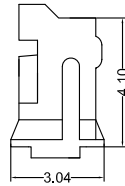
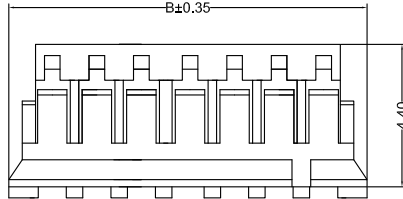
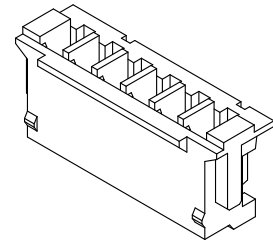
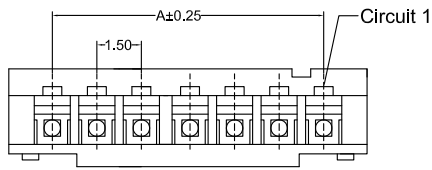
Wafer Fixed Foot: Phosphor/ Tin-plated



- Note: 1. The above figure is the figure viewed from the connector mounting side.  
2. Tolerances are non-cumulative:  $\pm 0.08$  mm for all centers.  
3. The dimensions above should serve as a guideline. Contact CSG for details.

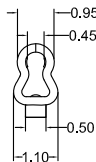
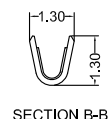
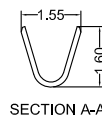
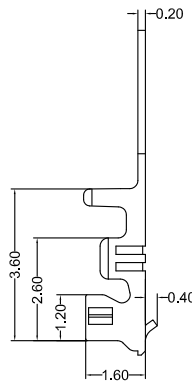
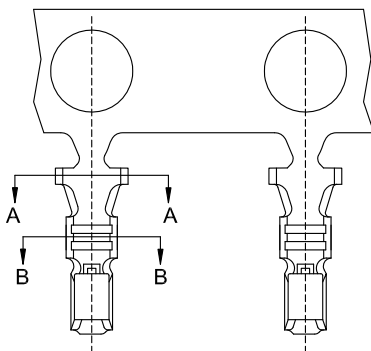
**CSG**

# A1500 ZH



A1500HF 0XX AX P6 9 005  
 PIN  
 005=5PINS  
 SPECIAL  
 AA=Square Hole  
 AR=Round Hole  
 Material  
 P6=PA66 94V-0  
 Code  
 005  
 Color  
 9=White

CSG PART NO.	Dimension mm		Q'ty/BAG
	A	B	
A1500HF002AXP69005	1.50	4.50	1000PCS
A1500HF003AXP69005	3.00	6.00	1000PCS
A1500HF004AXP69005	4.50	7.50	1000PCS
A1500HF005AXP69005	6.00	9.00	1000PCS
A1500HF006AXP69005	7.50	10.50	1000PCS
A1500HF007AXP69005	9.00	12.00	1000PCS
A1500HF008AXP69005	10.50	13.50	1000PCS
A1500HF009AXP69005	12.00	15.00	1000PCS
A1500HF010AXP69005	13.50	16.50	1000PCS
A1500HF011AXP69005	15.00	18.00	1000PCS
A1500HF012AXP69005	16.50	19.50	1000PCS
A1500HF013AXP69005	18.00	21.00	1000PCS
A1500HF014AXP69005	19.50	22.50	1000PCS
A1500HF015AXP69005	21.00	24.00	1000PCS
A1500HF016AXP69005	22.50	25.50	1000PCS

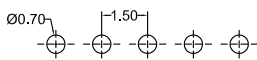
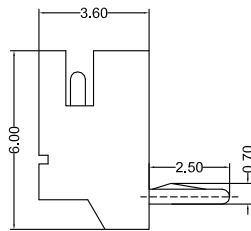
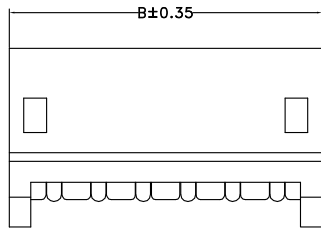
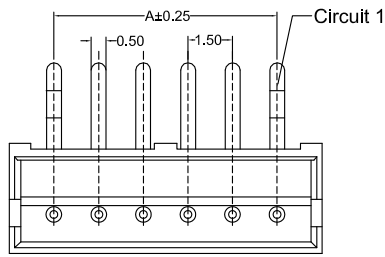


A1500 M 0 A TP 002  
 Type  
 M=Female Terminal  
 Material  
 A=Phosphor  
 Finish  
 TP=Tin-Plated  
 Code  
 002

CSG PART NO.	Wire Range	Insulation O.D.	Q'ty/Reel
A1500M0ATP002	AWG#26-#32	1.10mm(max)	20000PCS

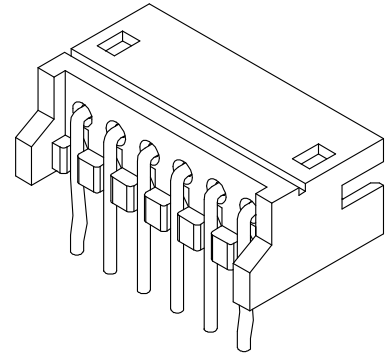


# A1500 ZH

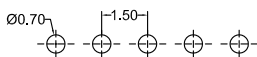
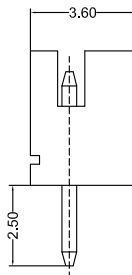
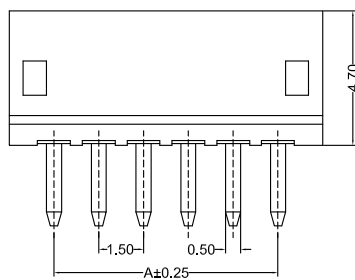
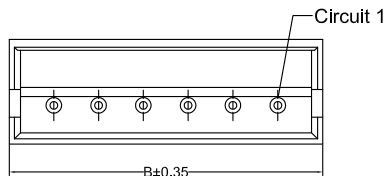


Recommended P.C.B Layout  
General Tolerance±0.05

A1500RD 0XX PK P4 TP C A 209  
 PIN 005=5PINS  
 SPECIAL PK=Orientation K  
 Material P4=PA46 94V-0  
 Finish TP=Terminal Tin-Plated  
 Code 209  
 Color A=Natural  
 Packing C=Bag

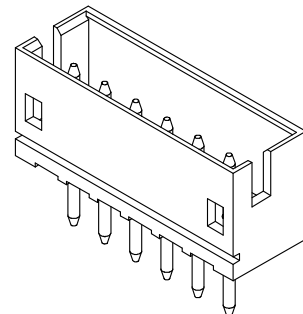


CSG PART NO.	Dimension mm		Q'ty/BAG
	A	B	
A1500RD002PKP4TPCA209	1.50	4.50	1000PCS
A1500RD003PKP4TPCA209	3.00	6.00	1000PCS
A1500RD004PKP4TPCA209	4.50	7.50	1000PCS
A1500RD005PKP4TPCA209	6.00	9.00	1000PCS
A1500RD006PKP4TPCA209	7.50	10.50	1000PCS
A1500RD007PKP4TPCA209	9.00	12.00	1000PCS
A1500RD008PKP4TPCA209	10.50	13.50	1000PCS
A1500RD009PKP4TPCA209	12.00	15.00	1000PCS
A1500RD010PKP4TPCA209	13.50	16.50	1000PCS
A1500RD011PKP4TPCA209	15.00	18.00	1000PCS
A1500RD012PKP4TPCA209	16.50	19.50	1000PCS
A1500RD013PKP4TPCA209	18.00	21.00	1000PCS
A1500RD014PKP4TPCA209	19.50	22.50	1000PCS
A1500RD015PKP4TPCA209	21.00	24.00	1000PCS
A1500RD016PKP4TPCA209	22.50	25.50	1000PCS



Recommended P.C.B Layout  
General Tolerance±0.05

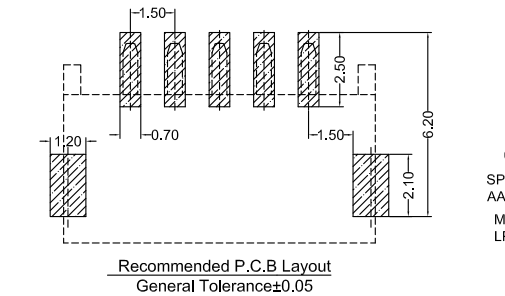
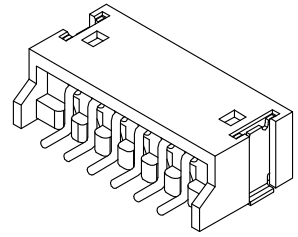
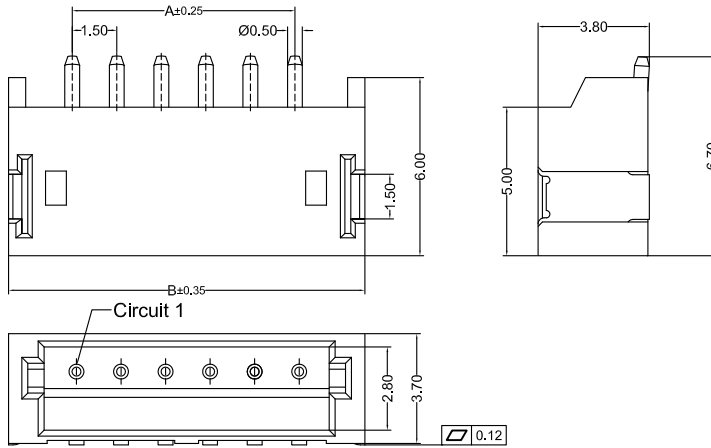
A1500VD 0XX AA PX TP C X 209  
 PIN 005=5PINS  
 SPECIAL AA=NO Special  
 Material P4=PA46 94V-0  
 PB=PBT 94V-0  
 Finish TP=Terminal Tin-Plated  
 Code 209  
 Color A=Natural  
 9=White  
 Packing C=Bag



CSG PART NO.	Dimension mm		Q'ty/BAG
	A	B	
A1500VD002AAPXTPCX209	1.50	4.50	1000PCS
A1500VD003AAPXTPCX209	3.00	6.00	1000PCS
A1500VD004AAPXTPCX209	4.50	7.50	1000PCS
A1500VD005AAPXTPCX209	6.00	9.00	1000PCS
A1500VD006AAPXTPCX209	7.50	10.50	1000PCS
A1500VD007AAPXTPCX209	9.00	12.00	1000PCS
A1500VD008AAPXTPCX209	10.50	13.50	1000PCS
A1500VD009AAPXTPCX209	12.00	15.00	1000PCS
A1500VD010AAPXTPCX209	13.50	16.50	1000PCS
A1500VD011AAPXTPCX209	15.00	18.00	1000PCS
A1500VD012AAPXTPCX209	16.50	19.50	1000PCS
A1500VD013AAPXTPCX209	18.00	21.00	1000PCS
A1500VD014AAPXTPCX209	19.50	22.50	1000PCS
A1500VD015AAPXTPCX209	21.00	24.00	1000PCS
A1500VD016AAPXTPCX209	22.50	25.50	1000PCS



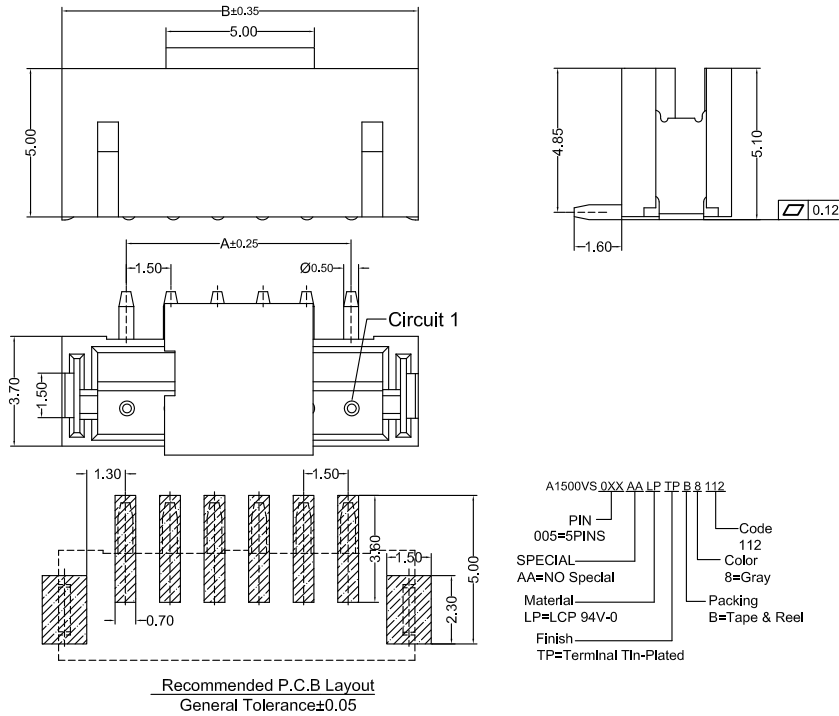
# A1500 ZH



A1500RS 0XX AA LP TP B 8 112

- PIN 005=5PINS
- SPECIAL AA=NO Special
- Material LP=LCP 94V-0
- Finish TP=Terminal Tin-Plated
- Code 112
- Color 8=Gray
- Packing B=Tape & Reel

CSG PART NO.	Dimension mm		Q'ty/Reel
	A	B	
A1500RS02AALPTPB8112	1.50	6.00	1000PCS
A1500RS03AALPTPB8112	3.00	7.50	1000PCS
A1500RS04AALPTPB8112	4.50	9.00	1000PCS
A1500RS05AALPTPB8112	6.00	10.50	1000PCS
A1500RS06AALPTPB8112	7.50	12.00	1000PCS
A1500RS07AALPTPB8112	9.00	13.50	1000PCS
A1500RS08AALPTPB8112	10.50	15.00	1000PCS
A1500RS09AALPTPB8112	12.00	16.50	1000PCS
A1500RS10AALPTPB8112	13.50	18.00	1000PCS
A1500RS11AALPTPB8112	15.00	19.50	1000PCS
A1500RS12AALPTPB8112	16.50	21.00	1000PCS
A1500RS13AALPTPB8112	18.00	22.50	1000PCS
A1500RS14AALPTPB8112	19.50	24.00	1000PCS
A1500RS15AALPTPB8112	21.00	25.50	1000PCS
A1500RS16AALPTPB8112	22.50	27.00	1000PCS



A1500VS 0XX AA LP TP B 8 112

- PIN 005=5PINS
- SPECIAL AA=NO Special
- Material LP=LCP 94V-0
- Finish TP=Terminal Tin-Plated
- Code 112
- Color 8=Gray
- Packing B=Tape & Reel

CSG PART NO.	Dimension mm		Q'ty/Reel
	A	B	
A1500VS02AALPTPB8112	1.50	6.00	1000PCS
A1500VS03AALPTPB8112	3.00	7.50	1000PCS
A1500VS04AALPTPB8112	4.50	9.00	1000PCS
A1500VS05AALPTPB8112	6.00	10.50	1000PCS
A1500VS06AALPTPB8112	7.50	12.00	1000PCS
A1500VS07AALPTPB8112	9.00	13.50	1000PCS
A1500VS08AALPTPB8112	10.50	15.00	1000PCS
A1500VS09AALPTPB8112	12.00	16.50	1000PCS
A1500VS10AALPTPB8112	13.50	18.00	1000PCS
A1500VS11AALPTPB8112	15.00	19.50	1000PCS
A1500VS12AALPTPB8112	16.50	21.00	1000PCS
A1500VS13AALPTPB8112	18.00	22.50	1000PCS
A1500VS14AALPTPB8112	19.50	24.00	1000PCS
A1500VS15AALPTPB8112	21.00	25.50	1000PCS
A1500VS16AALPTPB8112	22.50	27.00	1000PCS

