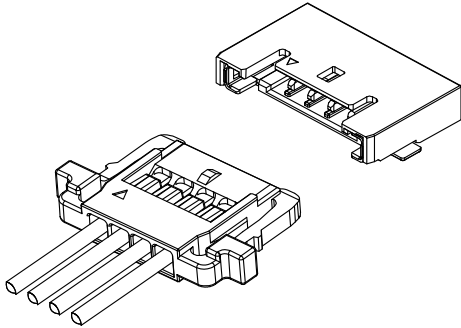


A1004 503764 CONNECTOR

1.00mm Pitch/Disconnectable Crimp style connectors



NOTE:

Current rating:1.5~2.5A AC,DC
Voltage rating:150V AC,DC
Temperature range:-25℃~+85℃
Insulation resistance:1000MΩ/Min
Withstanding voltage:500V AC/minute
Contact resistance:20mΩ/Max
Suitable With:A1004M Series Terminal

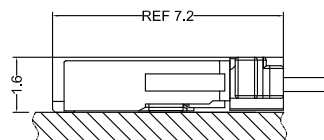


Specifications:

- Current rating: 1.5 A AC,DC (AWG #28)
 - Voltage rating: 250 V AC/DC
 - Temperature range: -25℃ ~ +105℃
(including temperature rise in applying electrical current)
 - Contact resistance: Initial value/ 20mΩ max
After environmental testing/ 40mΩ max
 - Insulation resistance: 1000 MΩ min
 - Withstanding voltage: 500 VAC/minute
 - Applicable wire: Conductor size/ AWG#30 to #28
Insulation O.D./ 0.5 to 0.7 mm
- * Compliant with RoHS2/ REACH
* In using the products, refer to "Handling Precautions for Terminals and Connectors "described on our website (Technical documents of Product information page).
* Contact CSG for details

Material:

Housing: PA66,UL94-V0;Color:Black
Terminal: Phosphor/ Tin-plated, Gold-Plated
Wafer Housing: 4T,UL94-V0;Color:Black
Wafer Pin: Phosphor/ Gold-Plated,TP=Tin-Plated
Wafer Fixed Foot: Brass/ Tin-plated

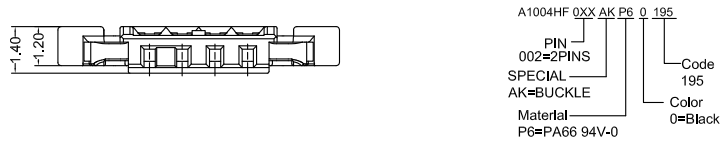
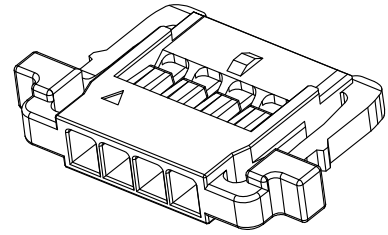
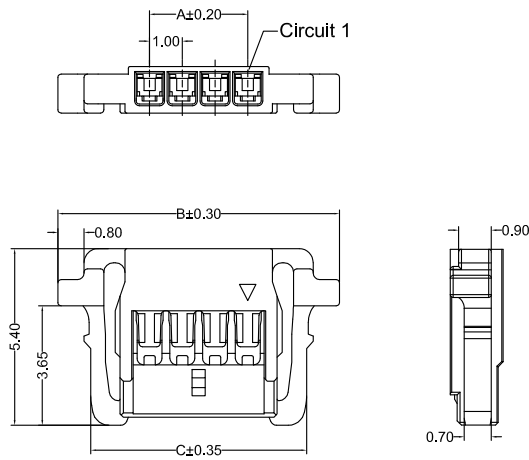


- Note: 1. The above figure is the figure viewed from the connector mounting side.
2. Tolerances are non-cumulative: ±0.08 mm for all centers.
3. The dimensions above should serve as a guideline. Contact CSG for details.

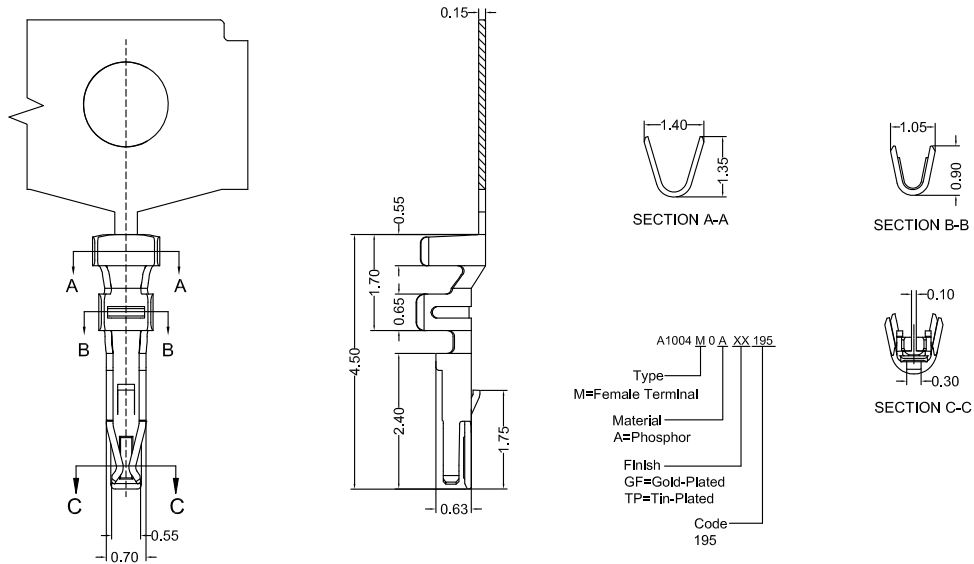
CSG

Tel:+86-769-85312070 85375507 E-mail:James@csg-china.com www.csg-china.com

A1004 503764



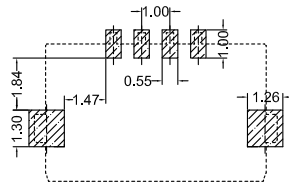
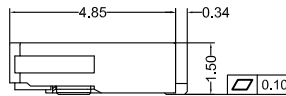
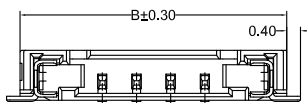
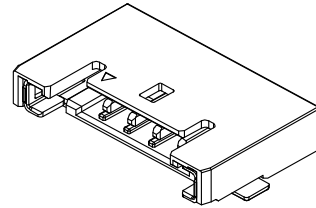
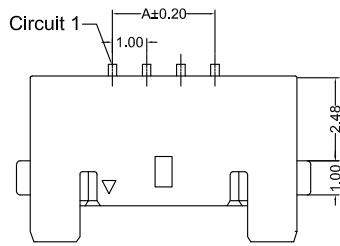
CSG PART NO.	Dimension mm			Q'ty/BAG
	A	B	C	
A1004HF002AKP60195	1.00	6.60	4.60	2000PCS
A1004HF003AKP60195	2.00	7.60	5.60	2000PCS
A1004HF004AKP60195	3.00	8.60	6.60	2000PCS
A1004HF005AKP60195	4.00	9.60	7.60	2000PCS
A1004HF006AKP60195	5.00	10.60	8.60	2000PCS



CSG PART NO.	Wire Range	Insulation O.D.	Q'ty/Reel
A1004M0AGF195	AWG#28-#30	0.70mm(max)	20000PCS
A1004M0ATP195	AWG#28-#30	0.70mm(max)	20000PCS



A1004 503764



Recommended P.C.B Layout
General Tolerance±0.05

A1004RS.0XX AA 4T XX B 0 109

- PIN
- 002=2PINS
- SPECIAL
- AA=NO Special
- Material
- 4T=PA4T 94V-0
- Finish
- GF=Terminal Gold-Plated
- TP=Terminal Tin-Plated
- Code
- 109
- Color
- 0=Black
- Packing
- B=Tape & Reel

CSG PART NO.	Dimension mm		Q'ty/Reel
	A	B	
A1004RS002AA4TXXB0109	1.00	5.80	3000PCS
A1004RS003AA4TXXB0109	2.00	6.80	3000PCS
A1004RS004AA4TXXB0109	3.00	7.80	3000PCS
A1004RS005AA4TXXB0109	4.00	8.80	3000PCS
A1004RS006AA4TXXB0109	5.00	9.80	3000PCS