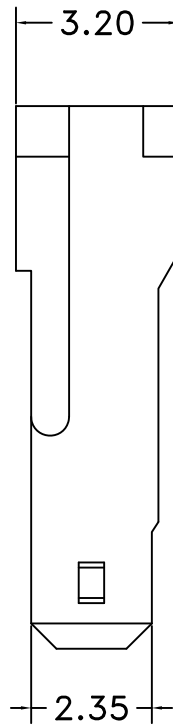
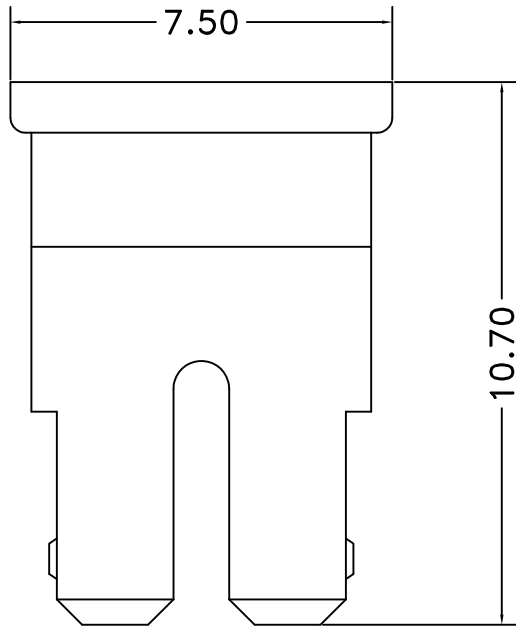
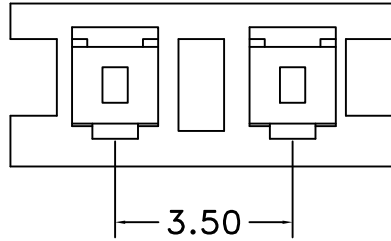


CUSTOMER DRAWING

REVISIONS				
SYM	ECN No.	DESCRIPTION	DATE	APPROVED
A		MASS-PRODUCTION	11/20/2008	James



NOTE:
 Current rating:5A AC,DC
 Voltage rating:1400V AC,DC
 Temperature range:-40℃~+85℃
 Insulation resistance:1000M Ω /Min
 Withstanding voltage:3800V AC/minute
 Contact resistance:20m Ω /Max
 Mates With C3500HM Series Housing
 And C3500R Series Wafer
 Suitable C3500M

C3500HF 002 AA XX X XXX
 PIN
 002=2PINS

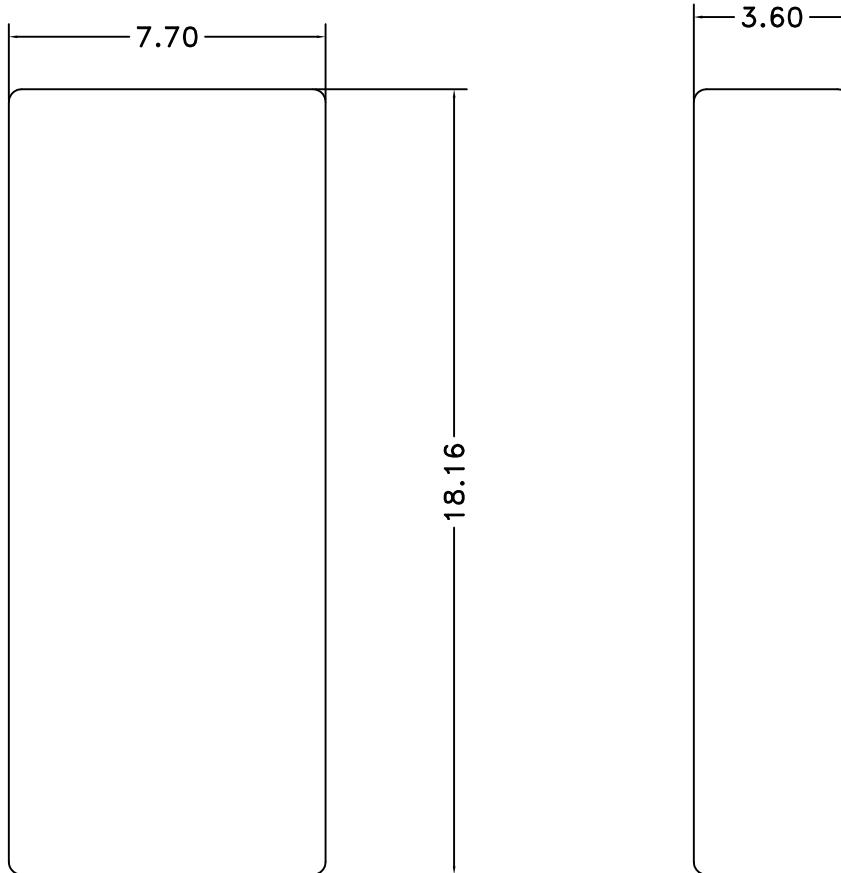
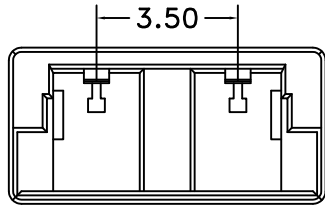
 SPECIAL
 AA=NO Special
 Material
 P6=PA66 94V-0
 Code
 Color
 9=White



TOLERANCE UNIT(mm)	X.	±0.30	DRAWN King	DATE 11/20/2008	CSG Industrial Co.,Ltd http://www.csg-china.com TITLE BH 3.50 Public Housing			
	X.X	±0.25						
	X.XX	±0.20	CHECKED James	11/20/2008				
X.XXX	±0.15	APPROVED James	11/20/2008	SCALE N.A.	PART NO. C3500HF002AAP6XXXX	DRAWING NO. C3500HF002AAP6XXXX A	REV. A	
ANGULAR	±2°			SHEET 1 OF 1				
UNLESS OTHERWISE SPECIFIED			UNIT MM	CUSTOMER CODE	CUSTOMER PART NO.			

CUSTOMER DRAWING

REVISIONS				
SYM	ECN No.	DESCRIPTION	DATE	APPROVED
A		MASS-PRODUCTION	11/20/2008	James



NOTE:
 Current rating:5A AC,DC
 Voltage rating:1400V AC,DC
 Temperature range:-40°C~+85°C
 Insulation resistance:1000M Ω /Min
 Withstanding voltage:3800V AC/minute
 Contact resistance:20m Ω /Max
 Mates With C3500HF Series Housing
 Suitable C3500F

C3500HM 002 AA XX X XXX
 PIN
 002=2PINS

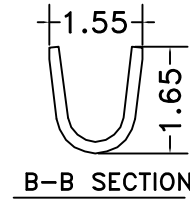
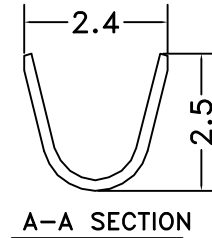
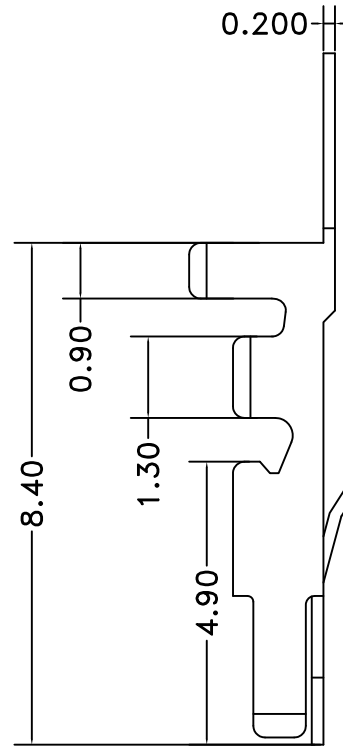
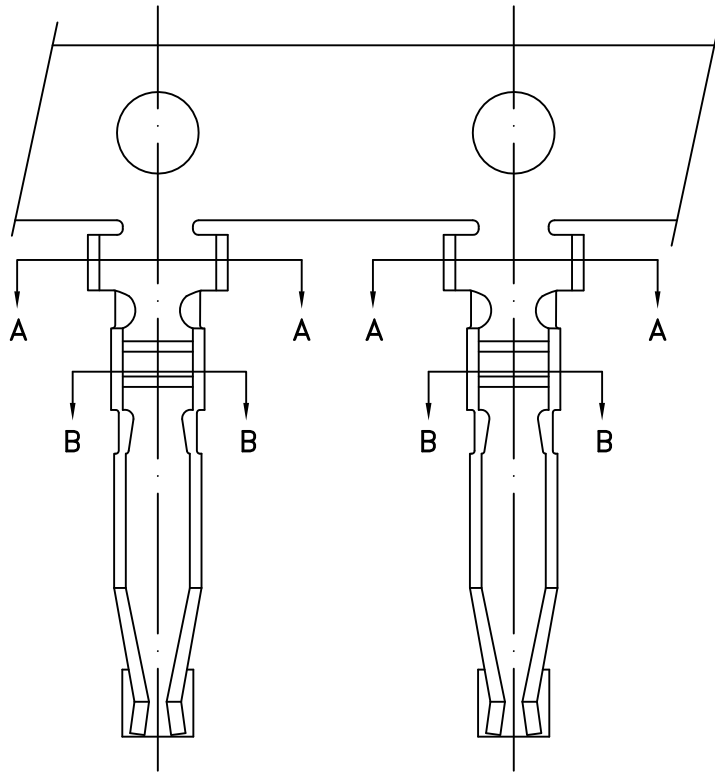
 SPECIAL
 AA=NO Special
 Material
 P6=PA66 94V-0
 Code
 Color
 9=White



TOLERANCE UNIT(mm)	APPROVALS	DATE	CSG Industrial Co.,Ltd http://www.csg-china.com			
	DRAWN King	11/20/2008				
	X. ± 0.30	CHECKED James	11/20/2008	TITLE BH 3.50 Female Housing		
X.X ± 0.25	APPROVED James	11/20/2008	SCALE N.A.	PART NO. C3500HM002AAP6XXXX	DRAWING NO. C3500HM002AAP6XXXX A	REV. A
X.XX ± 0.20			SHEET 1 OF 1			
X.XXX ± 0.15			UNIT MM	CUSTOMER CODE	CUSTOMER PART NO.	
ANGULAR $\pm 2^\circ$						
UNLESS OTHERWISE SPECIFIED						

CUSTOMER DRAWING

REVISIONS				
SYM	ECN No.	DESCRIPTION	DATE	APPROVED
A		MASS-PRODUCTION	10/25/2007	James



C3500M 0 X XX XXX

Type
M=Female

SPECIAL
0=NO Special

Material
A=Phosphor

Finish
TP=Tin-Plated

Code

NOTE:
Suitable With:C3500HF Series Housing

TABLE:

CSG PART NO.	Wire Range	Insulation O.D.	Q'ty/Reel
C3500MOATPXXX	AWG#24~#28	1.60mm(max)	10000PCS

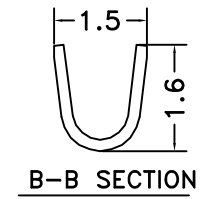
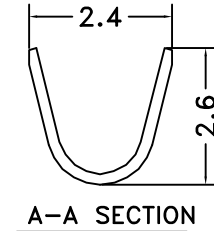
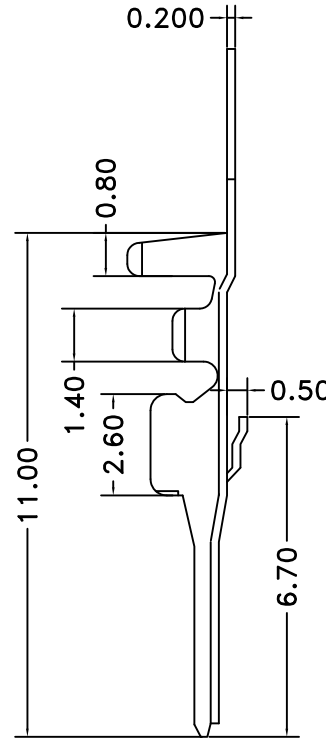
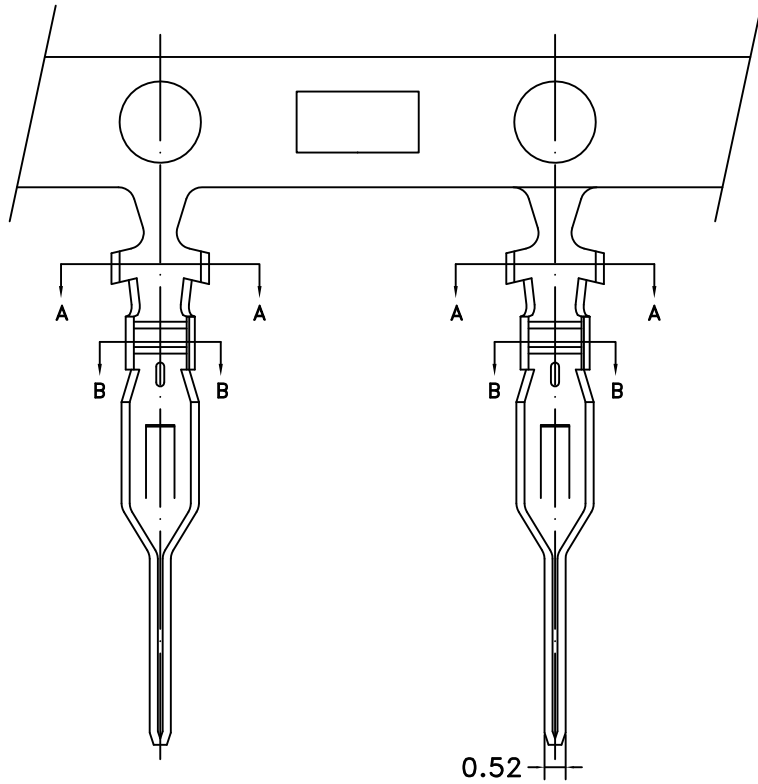
TOLERANCE UNIT(mm)	APPROVALS	DATE
X. ±0.30	DRAWN King	10/25/2007
X.X ±0.25	CHECKED James	10/25/2007
X.XX ±0.20	APPROVED James	10/25/2007
X.XXX ±0.15		
ANGULAR ±2°		
UNLESS OTHERWISE SPECIFIED		

CSG Industrial Co.,Ltd http://www.csg-china.com			
TITLE BH 3.50 Female Terminal			
SCALE N.A.	PART NO. C3500MOATPXXX	DRAWING NO. C3500MOATPXXX A	REV. A
SHEET 1 OF 1	CUSTOMER CODE	CUSTOMER PART NO.	



CUSTOMER DRAWING

REVISIONS				
SYM	ECN No.	DESCRIPTION	DATE	APPROVED
A		MASS-PRODUCTION	10/25/2007	James



C3500F 0 X XX XXX
 Type
 F=Male
 SPECIAL
 0=NO Special
 Material
 A=Phosphor
 Finish
 TP=Tin-Plated
 Code

NOTE:
 Suitable With:C3500HM Series Housing

TABLE:

CSG PART NO.	Wire Range	Insulation O.D.	Q'ty/Reel
C3500FOATPXXX	AWG#24~#28	1.60mm(max)	8000PCS



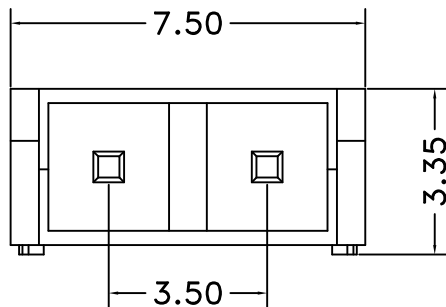
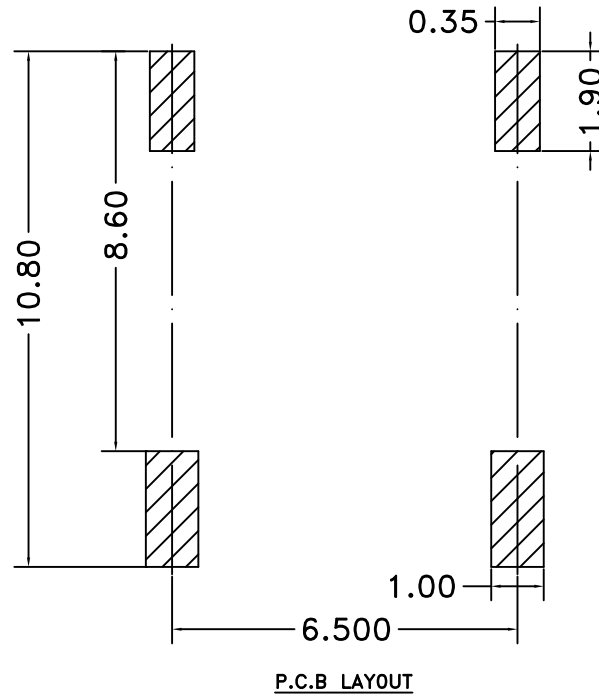
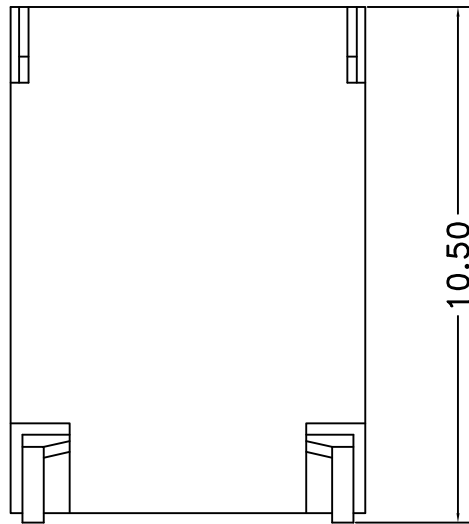
TOLERANCE UNIT(mm)	APPROVALS	DATE
X. ±0.30	DRAWN King	10/25/2007
X.X ±0.25	CHECKED James	10/25/2007
X.XX ±0.20	APPROVED James	10/25/2007
X.XXX ±0.15		
ANGULAR ±2°		
UNLESS OTHERWISE SPECIFIED		

CSG Industrial Co.,Ltd http://www.csg-china.com			
TITLE BH 3.50 Public Terminal			
SCALE N.A.	PART NO. C3500FOATPXXX	DRAWING NO. C3500FOATPXXX A	REV. A
SHEET 1 OF 1	CUSTOMER CODE	CUSTOMER PART NO.	

UNIT
 MM

CUSTOMER DRAWING

REVISIONS				
SYM	ECN No.	DESCRIPTION	DATE	APPROVED
A		MASS-PRODUCTION	10/25/2007	James



C3500RS 002 AA XX XX X X XXX

- PIN 002=2PINS
- SPECIAL AA=NO Special
- Material 6T=PA6T 94V-0
- Code
- Color A=Natural
- Packing B=Reel
- Finish TP=Tin-Plated

NOTE:
 Current rating:5A AC,DC
 Voltage rating:1400V AC,DC
 Temperature range:-40°C~+85°C
 Insulation resistance:1000MΩ/Min
 Withstanding voltage:3800V AC/minute
 Contact resistance:20mΩ/Max
 Mates With C3500HF Series Housing



TOLERANCE UNIT(mm)	APPROVALS	DATE	CSG Industrial Co.,Ltd http://www.csg-china.com			
	DRAWN King	10/25/2007				
X. ±0.30	CHECKED James	10/25/2007	TITLE BH 3.00 Series SMT Right Angle Wafer			
X.X ±0.25	APPROVED James	10/25/2007	SCALE N.A.	PART NO. C3500RS002AA6TTPBAXXX	DRAWING NO. C3500RS002AA6TTPBAXXX A	REV. A
X.XX ±0.20			SHEET 1 OF 1	CUSTOMER CODE	CUSTOMER PART NO.	
X.XXX ±0.15			UNIT MM			
ANGULAR ±2°						
UNLESS OTHERWISE SPECIFIED						